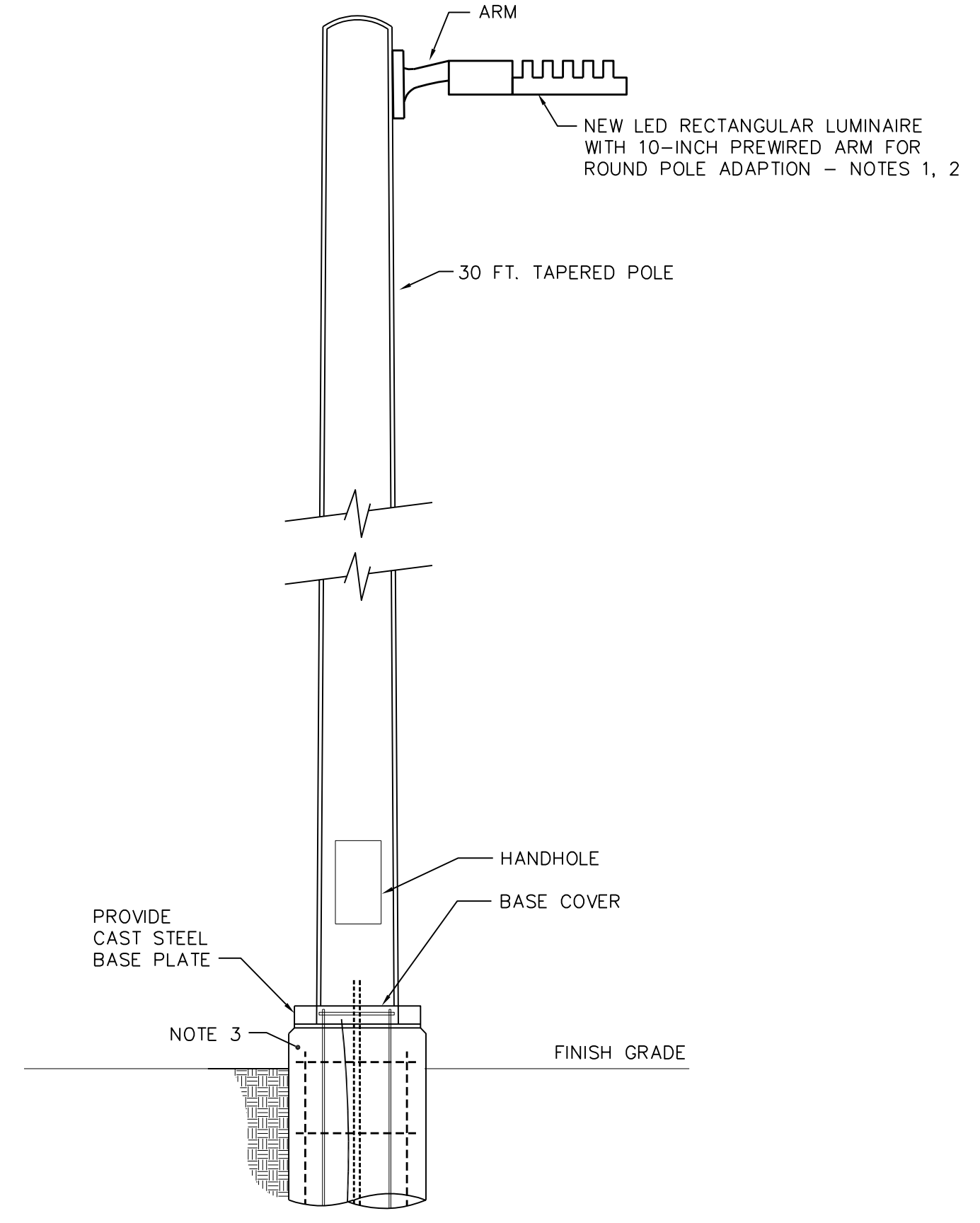


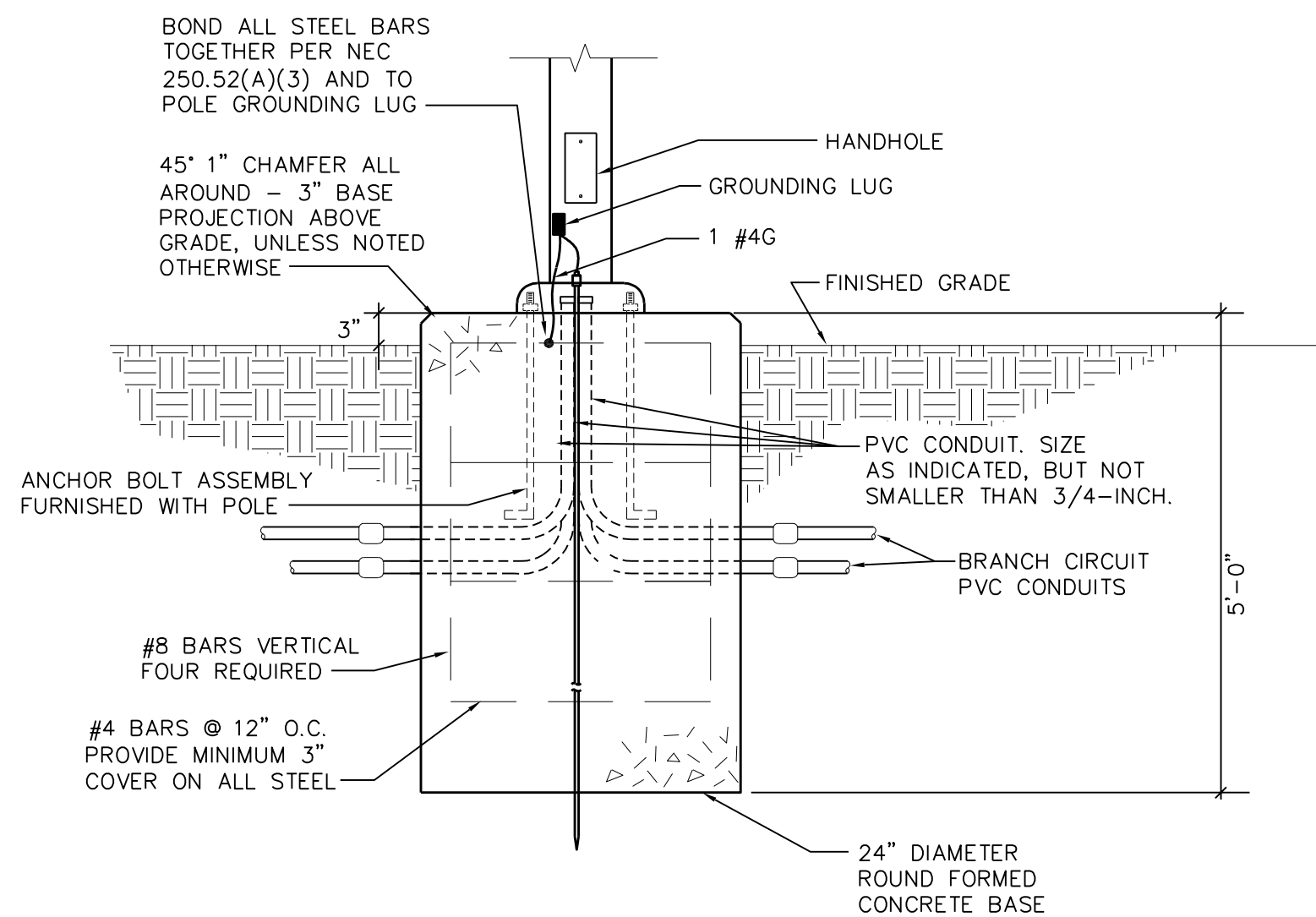
1 NEW FIXTURE TYPE 'SA' DETAIL (UNCC MAIN CAMPUS STANDARD)
NOT TO SCALE

- NOTES:**
1. ALL EXPOSED METAL SHALL BE "MALAGA GREEN" - DEVOE IUM40A.
 2. REFER TO FIXTURE SCHEDULE FOR MORE INFORMATION.
 3. PROVIDE 10"x 3/4" BURIED GROUND ROD AT EACH FIXTURE AND BOND TO FIXTURE WITH #4 AWG COPPER. ALL WIRING TO BE CONCEALED FROM VIEW.
 4. MATCH EXISTING CAMPUS STANDARD "CITADEL" POST LAMP FIXTURE. THE NEW "SA" FIXTURES SHALL HAVE A 80-WATT NOMINAL LED LIGHT SOURCE. PROVIDE MULTI-TAP POWER DRIVER (277, 240, 208, 120 VOLTS). ACCEPTABLE MANUFACTURERS INCLUDE: HADCO "V25" SERIES OR MATCHING PRODUCT BY ANP, STERNBERG OR SPRING CITY.
 5. VERIFY ALL DIMENSIONS BEFORE POURING CONCRETE FOOTING. REVISE AS REQUIRED TO SUIT POLE BEING INSTALLED.
 6. BOND CONCRETE BASE REBAR TO EQUIPMENT GROUNDING CONDUCTOR USING LISTED FITTING, PER NEC 250.52(A)(3).
 7. VERIFY FINAL LOCATION AND TYPE OF FIXTURES PRIOR TO POURING CONCRETE BASE.

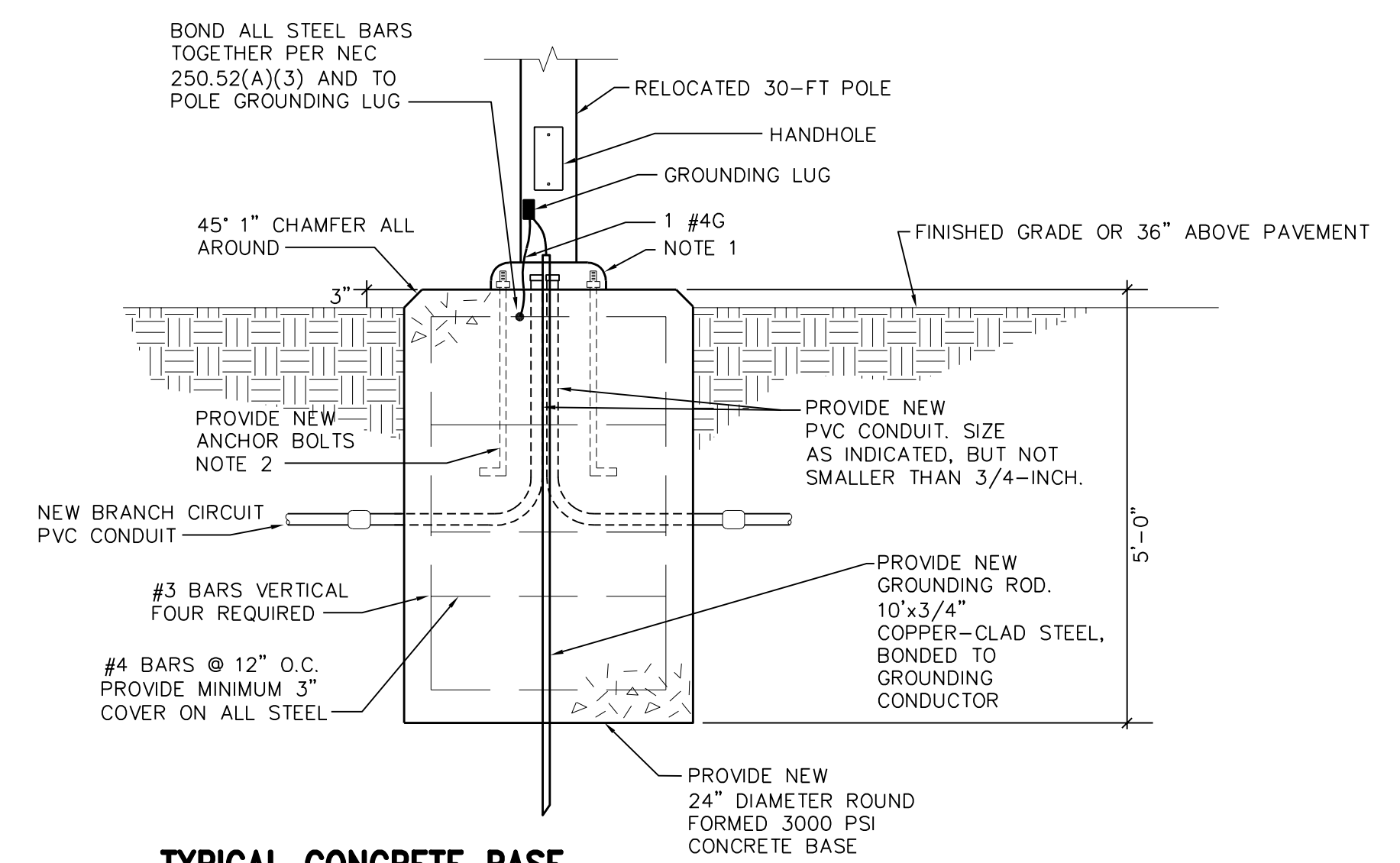


2 NEW FIXTURE TYPE 'SB' LED LIGHT POLE
NOT TO SCALE

- NOTES:**
1. ALL EXPOSED METAL SHALL BE "MALAGA GREEN" - RAL-6012.
 2. REFER TO FIXTURE SCHEDULE FOR MORE INFORMATION.
 3. SEE DETAILS 3 & 4 ON THIS SHEET FOR POLE BASE DETAILS.
 4. VERIFY ALL DIMENSIONS BEFORE POURING CONCRETE FOOTING. REVISE AS REQUIRED TO SUIT POLE BEING INSTALLED.
 5. BOND CONCRETE BASE REBAR TO EQUIPMENT GROUNDING CONDUCTOR USING LISTED FITTING, PER NEC 250.52(A)(3).
 6. VERIFY FINAL LOCATION AND TYPE OF FIXTURES PRIOR TO POURING CONCRETE BASE.

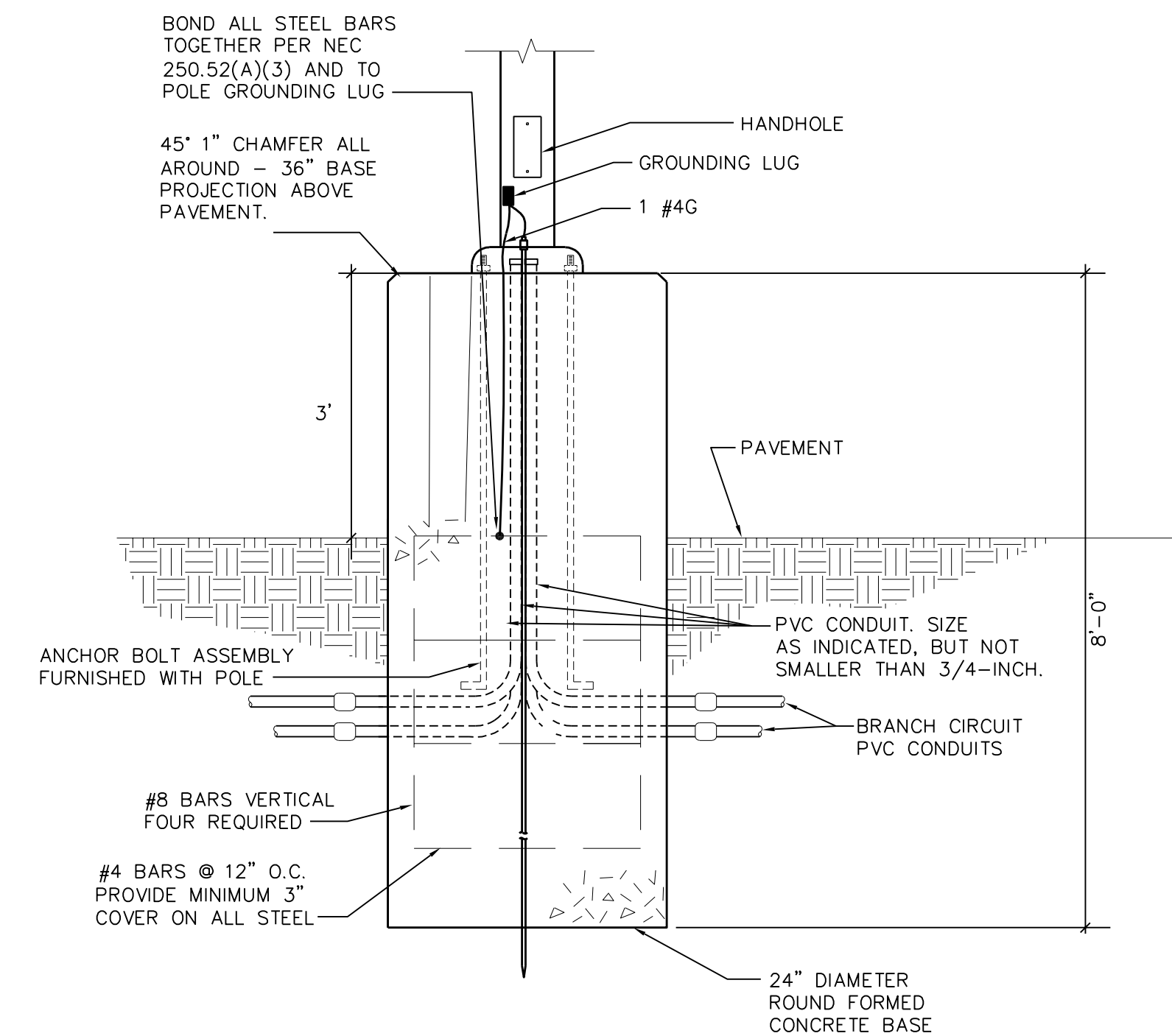


3 TYPICAL LIGHT POLE BASE - 30 FOOT POLE
NOT TO SCALE



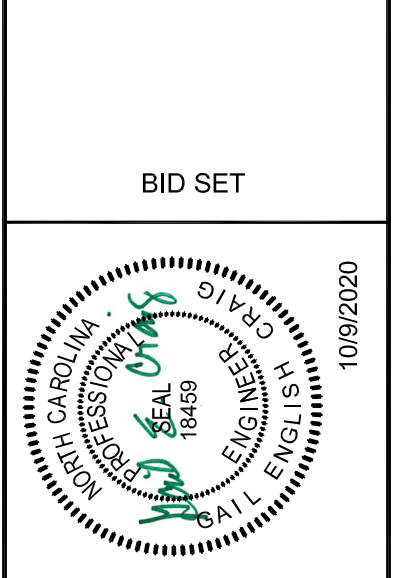
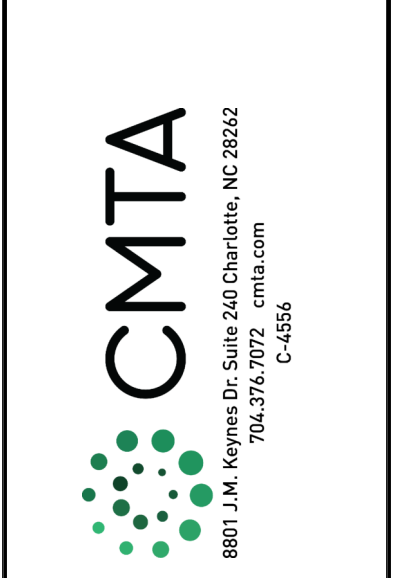
5 TYPICAL CONCRETE BASE FOR RELOCATED "SGR" TYPE FIXTURES
NOT TO SCALE

- NOTES:**
1. VERIFY EXISTING FIXTURE ANCHOR BOLT CONFIGURATION AND BASE ANCHOR PLATE FOR SPECIFIC FIXTURE. PROVIDE ADAPTER PLATE IF NECESSARY.
 2. FIXTURE WILL REQUIRE FOUR 3/4" x 30" LONG GALVANIZED STEEL THREADED END BOLTS PER ASTM A153 WITH MATCHING GALVANIZED STEEL HEX NUTS, WASHERS AND FLAT WASHERS.
 3. REMOVE CONCRETE BASE, ABANDONED WIRE AND CONDUIT. BACKFILL REMAINING CAVITIES WITH COMPACTED DIRT.
 4. LUMINAIRE, LAMP, REFRACTOR, REFLECTOR AND POLE SHALL BE CLEANED UPON RE-INSTALLATION.



4 TYPICAL LIGHT POLE BASE (PAVED AREAS) - 30 FOOT POLE
NOT TO SCALE

No.	REVISIONS	DATE	BY



MC&L PROJECT	217,069	DATE	10/9/2020	SCALE	AS SHOWN	DESIGNED BY	JRM	DRAWN BY	GEJ	CHECKED BY	GEJ
--------------	---------	------	-----------	-------	----------	-------------	-----	----------	-----	------------	-----



ELECTRICAL DETAILS

THE UNIVERSITY OF NORTH CAROLINA AT CHARLOTTE
EAST VILLAGE
INFRASTRUCTURE
PROJECT ID #13-11004-02A

