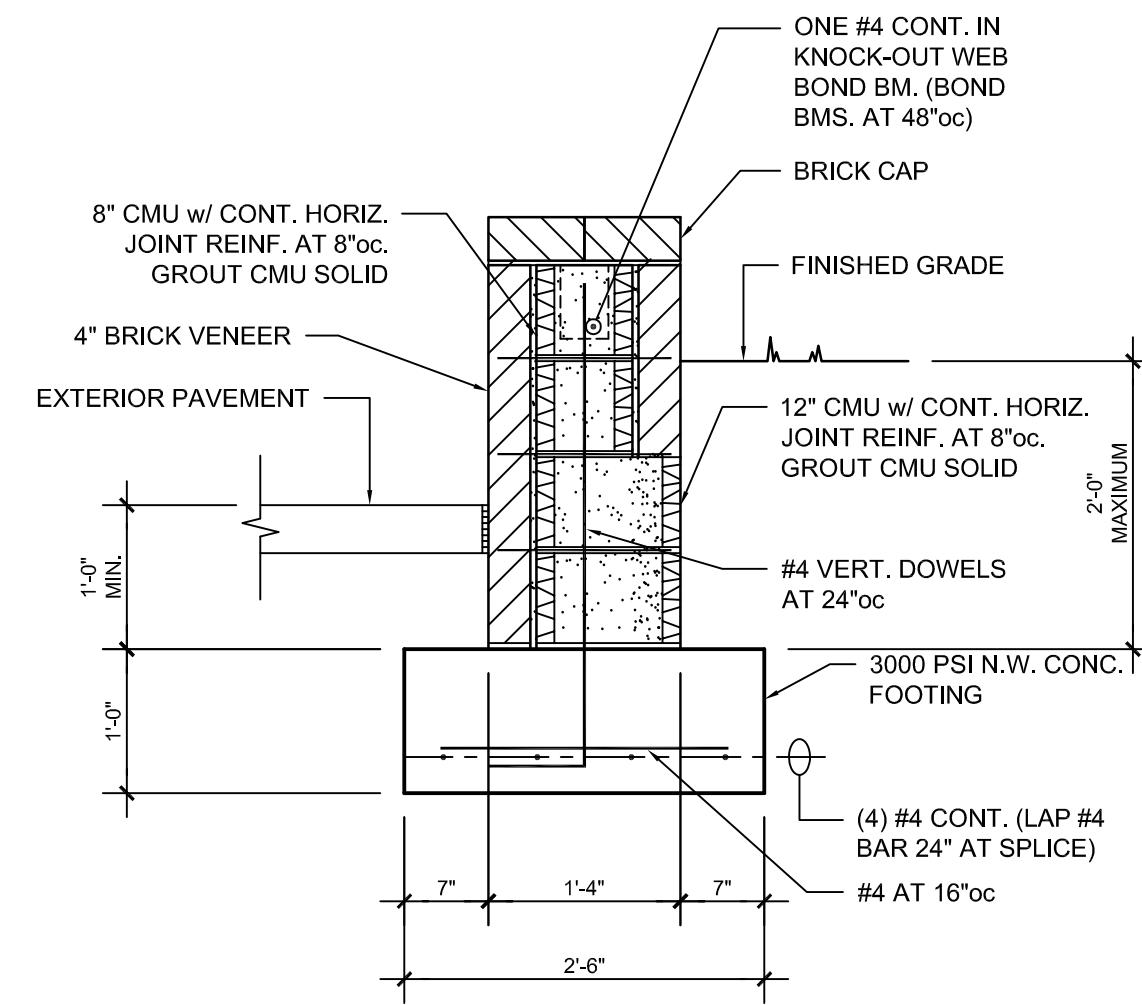
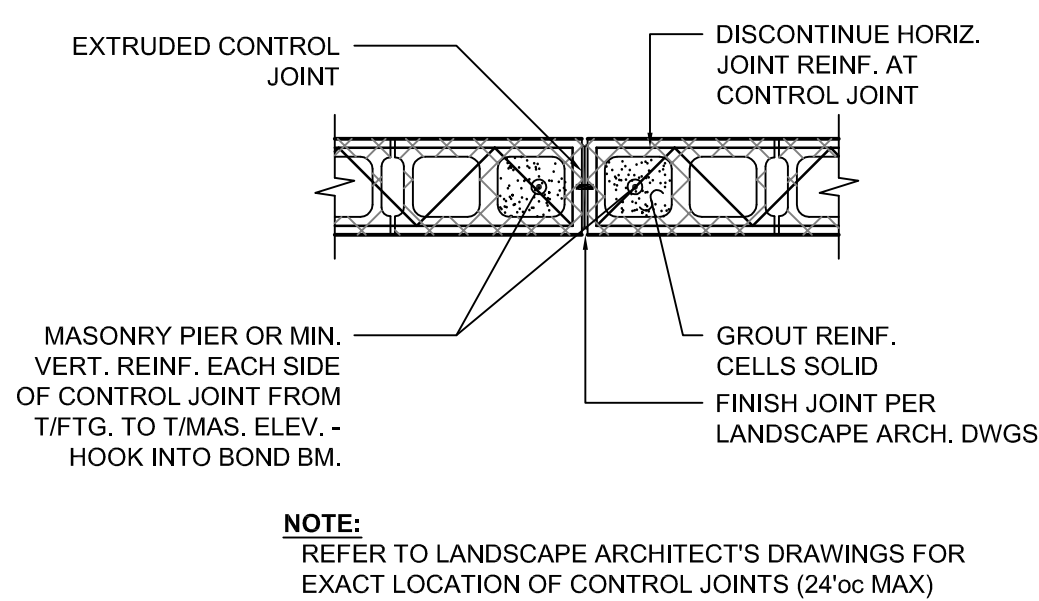


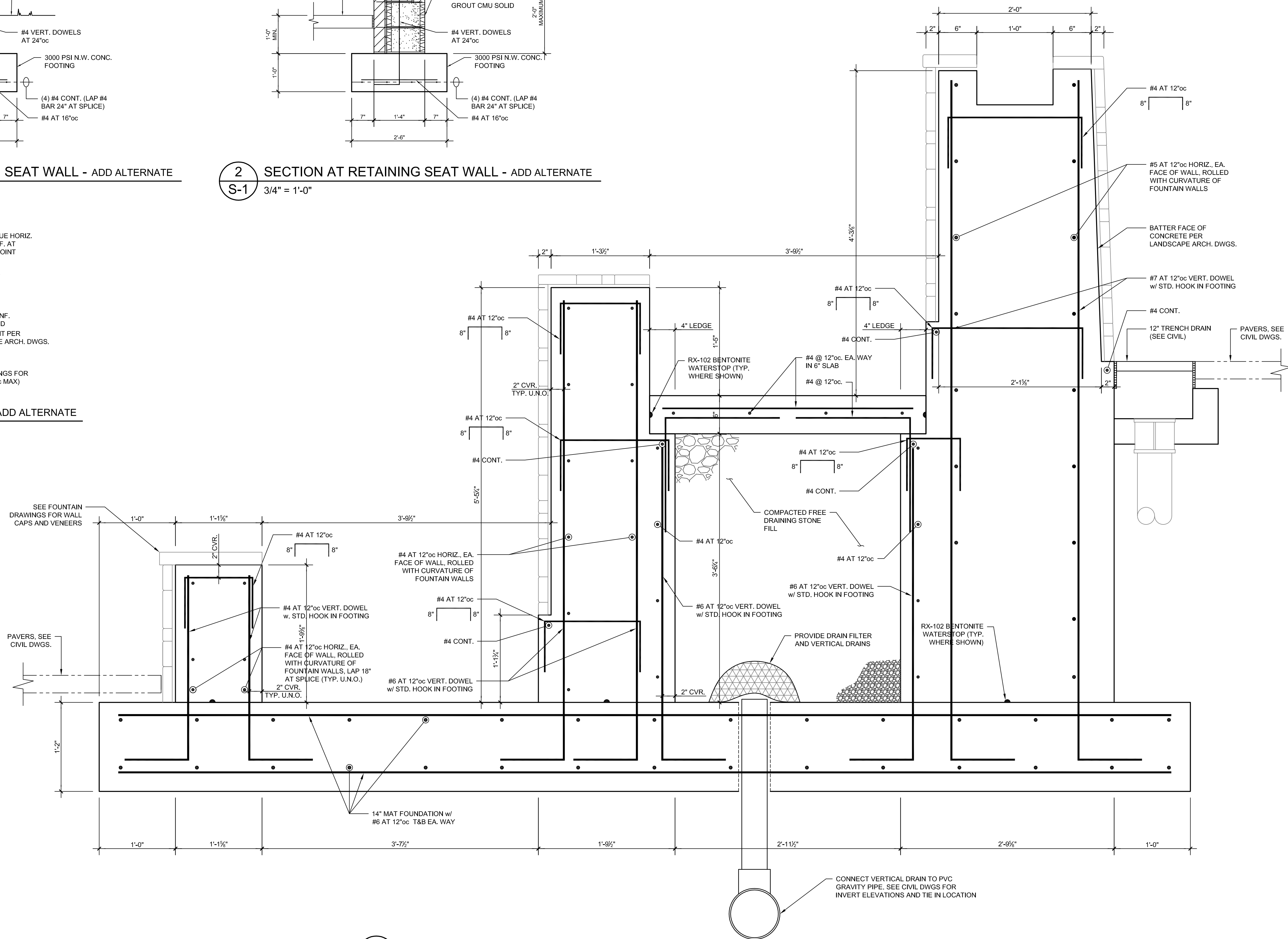
1 SECTION AT FREESTANDING SEAT WALL - ADD ALTERNATE
S-1 3/4" = 1'-0"



2 SECTION AT RETAINING SEAT WALL - ADD ALTERNATE
S-1 3/4" = 1'-0"



3 SECTION AT MASONRY CJ - ADD ALTERNATE
S-1 3/4" = 1'-0"



4 SECTION THROUGH FOUNTAIN
S-1 1-1/2" = 1'-0"